

**More mobility –
more joy of life.**

**PRECISION
STAIRLIFTS**

Better... By Design





MADE IN EUROPE and used all over the world

Content customers all over the world encourage us in our daily effort to help people to regain better quality of life.

As your personal stairlift manufacturer with an European production of its own and a world-wide servicing according to German standards we guarantee a high level of quality of our stairlifts. Precise documentation and quality management throughout all our processes will give you that feeling of safety and confidence in our high-quality product.

We are there for you after the purchase as well – we guarantee a quick, competent service by our friendly and qualified technical staff.

Outdoor Model HW11

- North America's only outdoor curved stairlifts
- Zinc rail that is impervious to rust and the elements



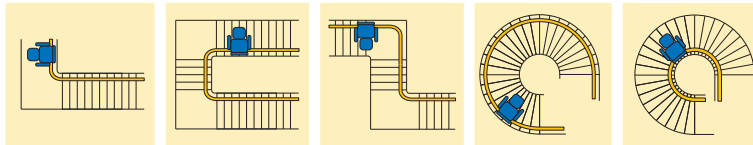
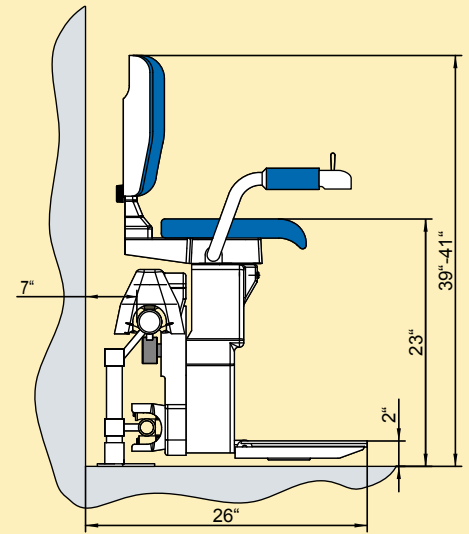
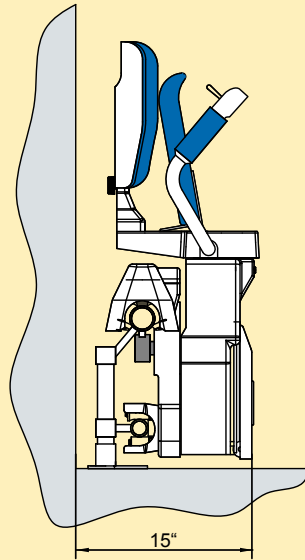
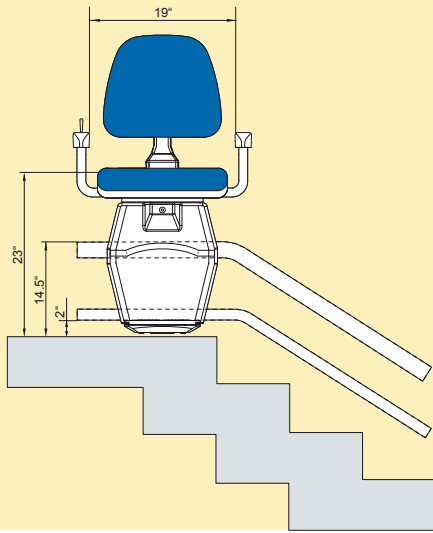
NO Barriers In



Indoor Model HW10

- Available in over 200 color choices
- Reliable
- Economical
- Powerful

Everyday Life



Specifications

Minimum Staircase Width	30 inches
Rail to Wall Distance (Incl. Rail)	6.3 inches
Material of Rail	Steel
Diameter of Tube (Upper/Lower)	2.2 inches/1.6 inches
Maximum Rail Length	131 feet
Min. Space for Rail Start	13.4 inches
Rail Fixing	On every 3rd and 5th Stair
Wall Fixing	Optional
Radius of Curve Depends on Incline)/180° (Outside)	0° 7.87 inches 15° 7.1 inches 30° 5.8 inches 50° 3.8 inches
Maximum Incline	75° Gradient
Driving Speed	19.68 feet/minute
Lifting Capacity	350 lbs.

Engine Power	340 Watt
Power Supply 230 V, 50 Hz	Socket Upstairs/Downstairs
Battery	24 V (2)
Drive	Gear Rack

Precision Stairlifts

www.precisionstairlifts.com